

EE112 - Fall 2016

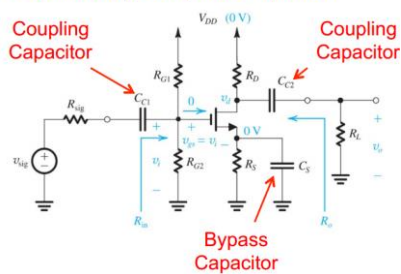
Analog Integrated Circuits I

Prof. Haoyu Wang
wanghy@shanghaitech.edu.cn
 5210 Research Bldg.

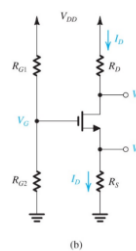
CS Amplifier with Bias Circuit

Both coupling and bypass capacitors are DC-open and AC-short

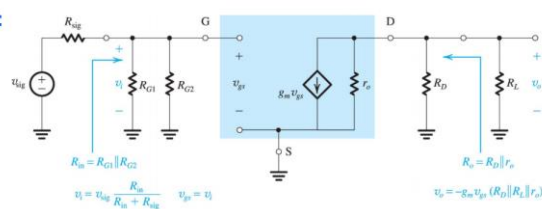
Capacitively Coupled Amplifier



DC:

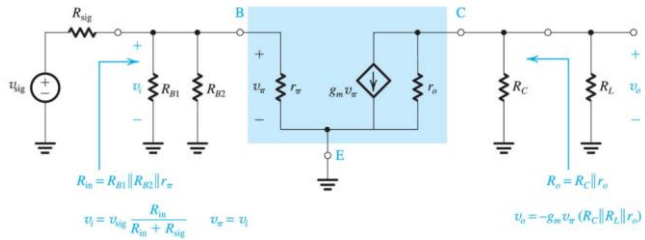
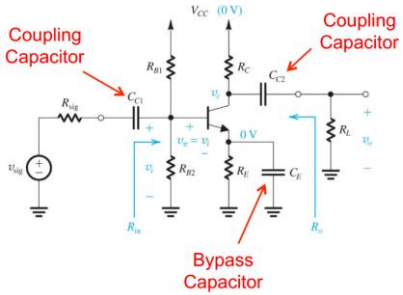


AC:

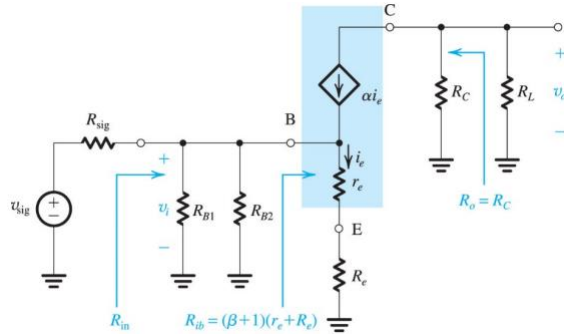
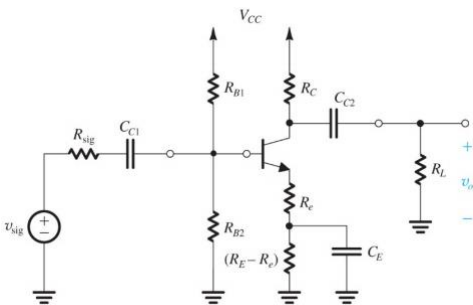


CE Amplifier with Bias Circuit

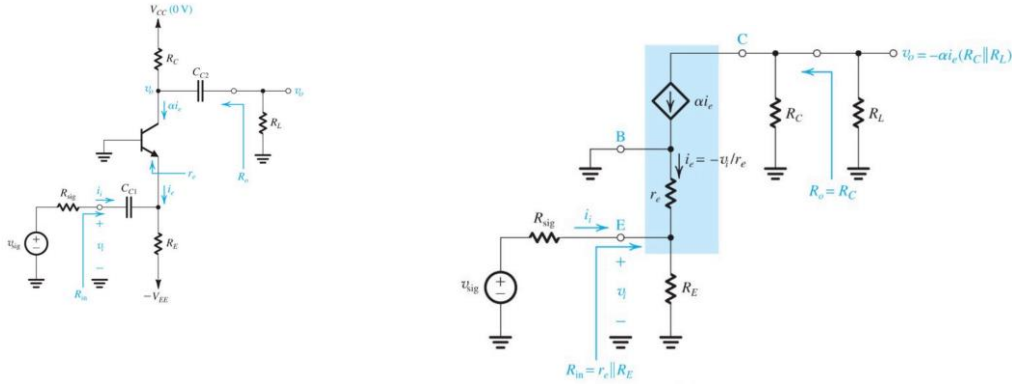
Both coupling and bypass capacitors are DC-open and AC-short



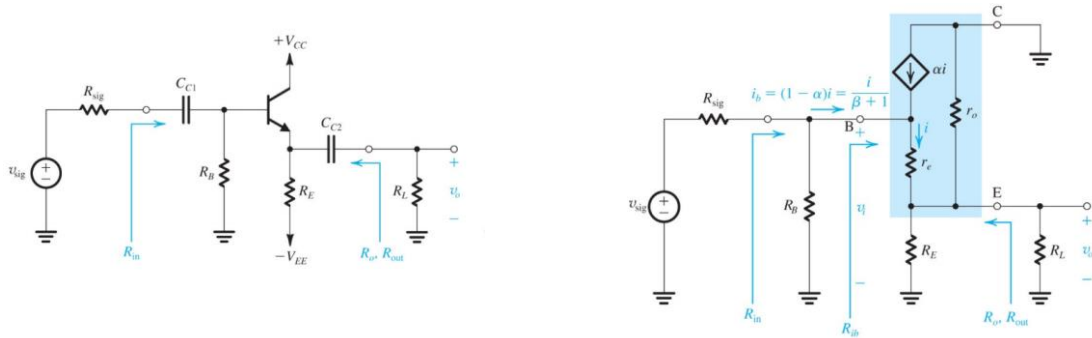
Emitter-Degenerated CE Amplifier with Bias Circuit



CB Amplifier with Bias Circuit



Emitter Follower with Bias Circuit



Typical Frequency Response of Capacitively Coupled CE Amplifier

