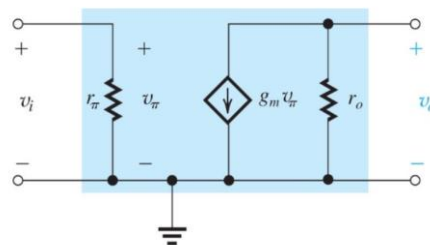
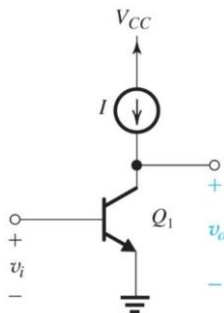


EE112 - Fall 2016

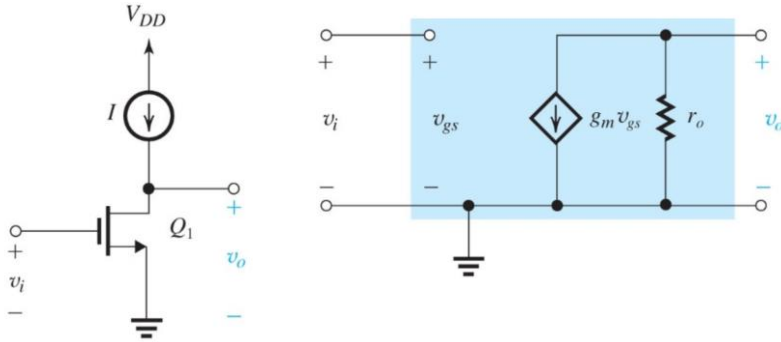
Analog Integrated Circuits I

Prof. Haoyu Wang
wanghy@shanghaitech.edu.cn
 5210 Research Bldg.

Basic BJT Gain Cells with Ideal Current Source Load

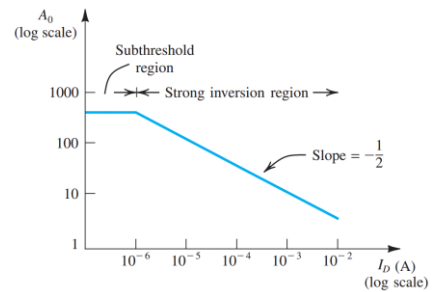


Basic Gain Cells with Ideal Current Source Load

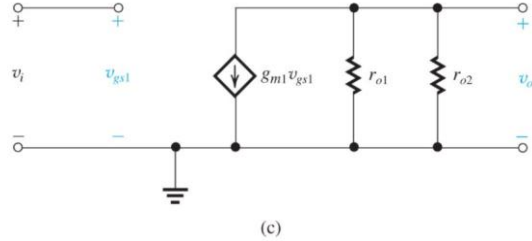
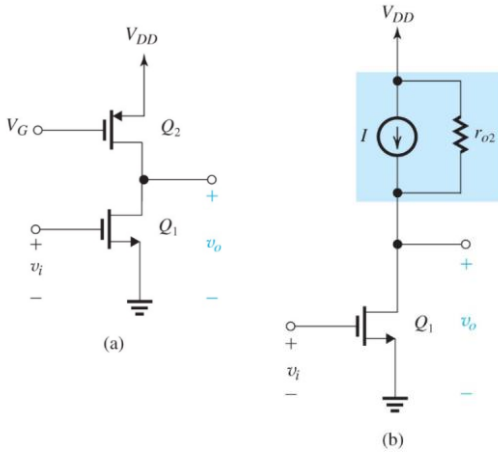


The Intrinsic Gain $g_m r_o$

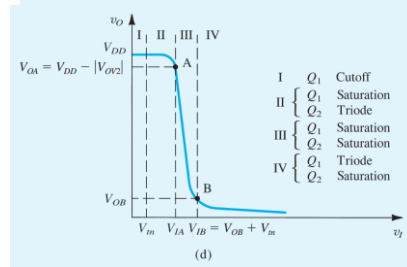
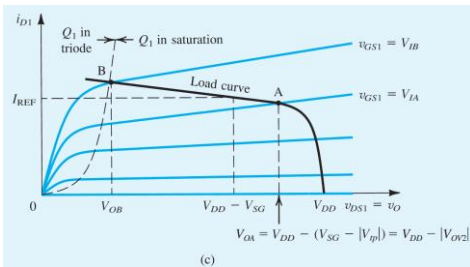
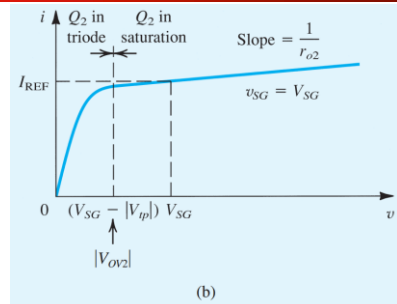
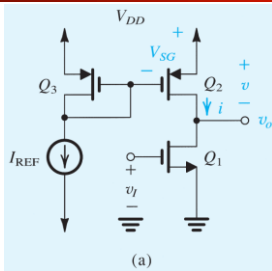
- BJT
- MOSFET



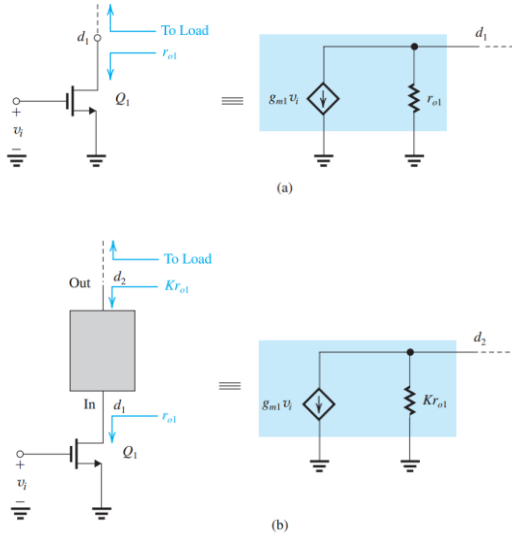
Output Resistance of Current Source Load



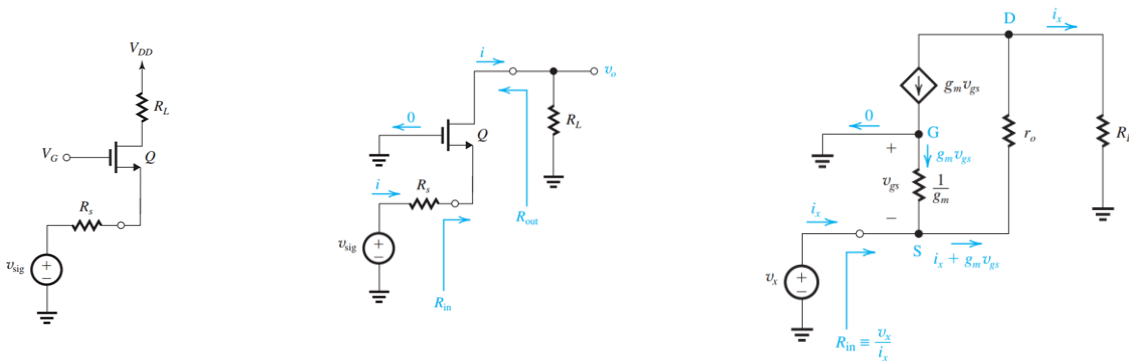
Graphical Solution of Voltage Transfer Curve



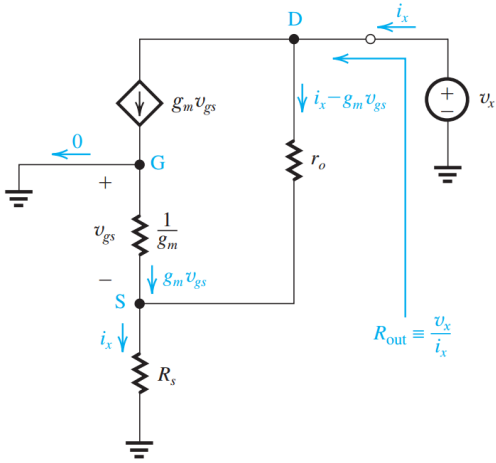
How To Increase Voltage Gain?



Impedance Transformation of Common Gate Amplifier



Continued 1



Continued 2

